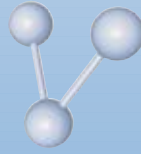


WEDECO



Small Ozone Systems

WEDECO



ITT Industries
Engineered for life

Ozone Generators and Complete Ozone Systems for Small and Medium Sized Applications



Fully assembled "ready to install" compact ozone system OCS with ozone generator type GSO 20

Numerous applications

WEDECO ozone generators are ideally used for disinfection and oxidation of all kinds of process water in industry, laboratory and pilot plant application.

Standard applications include:

- Disinfection
 - drinking water
 - loop systems
 - recycling processes
 - rinsers
 - food and beverage industry
 - cooling water
 - fishfarming
 - swimmingpools
- Oxidation Processes



Efficient ozone production at high concentrations

Modular HC as well as GSA/GSO ozone generators are designed to produce ozone more effectively at high concentrations up to 16 weight% ozone. They offer the highest ozone concentration yields at lowest energy demand. System parameters are monitored and displayed to ensure a safe and reliable operation. The result is maximum ozone production, minimum operating costs, and an unmatched reliability.

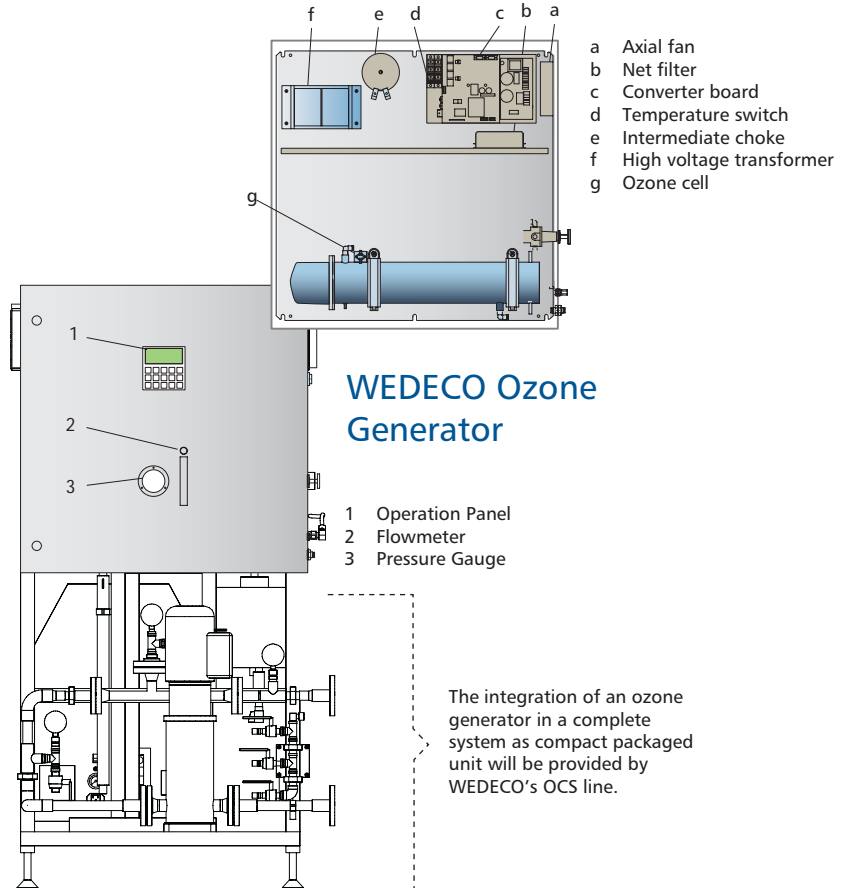
Benefits of Ozone Oxidation

- Disinfection → Removal of bacteria, viruses, parasites
- Oxidation → Removal of odour, colour and taste
- No hazardous by-products

Advantages

Benefits of Effizon® technology used in GSA/GSO generators

- Reduced energy consumption per unit ozone production
- Drastically reduced oxygen demand due to extremely high production concentrations
- Compact Design
- Low installation and maintenance requirements
- Low investment and operating costs
- Highest reliability and safe operation
- Built for permanent operation



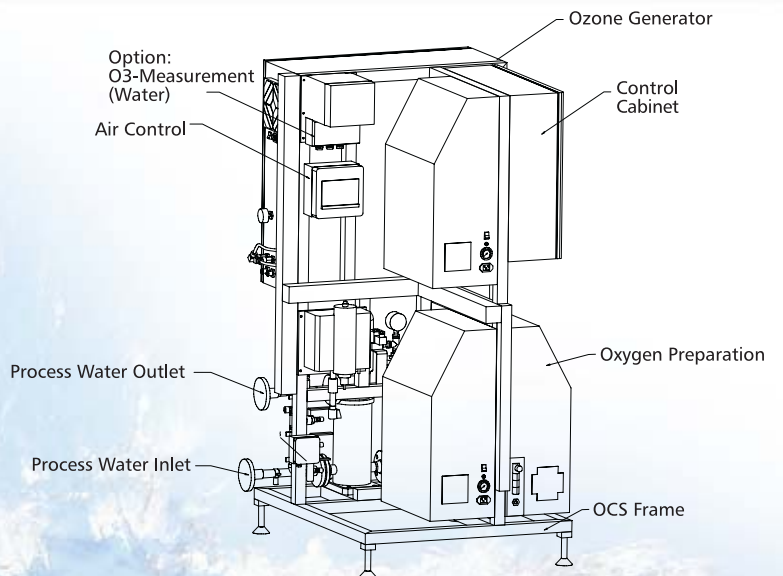
Components of WEDECO OCS System

- Ozone generator
- Feedgas Supply with oxygen generator
- Introduction system with pump and injector
- Ambient air monitoring
- Electric controls with signal exchange
- Stainless steel frame with internal piping and wiring

Optional Accessories

- Ozone concentration monitoring
- Reaction- /Degassing tanks in different sizes
- Residual ozone destruction in off gas
- Stainless steel quality of cabinet and piping

WEDECO OCS System



Technical Data

Air fed Ozone Generators

Model	Max. ozone production (g/h)	Air demand (m ³ /h) NTP	Cooling medium	Power consumption at 100% of ozone production [kW]	Dimensions H / W / D [mm]	Weight [kg]
Modular 2	2	1.0	Air	0.16	400 x 600 x 210	20
Modular 4	4	1.0	Air	0.5 inkl. airdryer and compressor	600 x 600 x 210	35
GSA 10	15	0.75	Water 0.08 m ³ /h	0.5	800 x 800 x 300	65
GSA 20	23	1.25	Water 0.08 m ³ /h	0.6	800 x 800 x 300	65
GSA 30	40	2.0	Water 0.16 m ³ /h	1.1	800 x 800 x 300	65
GSA 50	220	7.8	Water 0.70 m ³ /h	3.8	1600 x 800 x 450	290

Oxygen fed Ozone Generators

Model	Max. ozone production (g/h)	Oxygen demand (m ³ /h) NTP	Cooling medium	Power consumption at 100% of ozone production [kW]	Dimensions H / W / D [mm]	Weight [kg]
Modular 4 HC	4	0.04	Air	0.1	600 x 600 x 210	30
Modular 6	6	0.25	Air	0.6 inkl. oxygen generator with compressor	600 x 600 x 210	50
Modular 8 HC	8	0.08	Air	0.2	600 x 600 x 210	35
GSO 10	30	0.3	Water 0.08 m ³ /h	0.5	800 x 800 x 300	65
GSO 20	50	0.5	Water 0.08 m ³ /h	0.6	800 x 800 x 300	65
GSO 30	100	1.0	Water 0.16 m ³ /h	1.1	800 x 800 x 300	65
GSO 50 200 g/h version	200	2.0	Water 0.35 m ³ /h	2.0	1600 x 800 x 450	250
GSO 50 400 g/h version	415	4.0	Water 0.70 m ³ /h	3.8	1600 x 800 x 450	290